

SMS PROJECTOR SHORT THROW MOBILE MOTORIZED



Forget about the projector room.

The motor-driven height adjustment and rotatable projector pillar allow the system to pass through doorways easily. Now with a universal fitting that can be used with most currently available interactive boards. A new broader foot

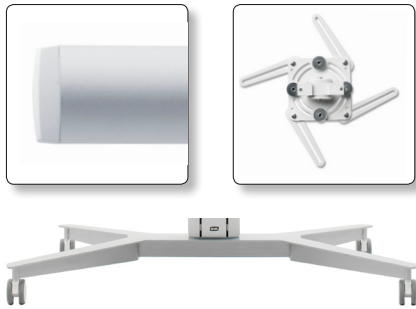
makes it easier to get close to the stand. Choose SMS universal slide to match the projector, alternatively an adapter for projectors with a projector pillar already included. Ideal for use anywhere where equipment needs to be moved often.

INFO

- Finish: White/silver/aluminium/black.
- Maximum board weight: 50 kg*
- Maximum projector weight: 8 kg*
- Maximum board height: 1250 mm (when distance board – projector is 400 mm, otherwise maximum 1420 mm.)
- Minimum board height: The sum of the vertical projection distance and the board height must be at least 1,150 mm.
- Maximum board depth: 100 mm
- Tilt of SMS projector slide: $\pm 15^\circ$.
- Adjustable: The main pillar can be electrically adjusted in height to allow the stand to pass through doorways easily. The projector can be suspended at a freely chosen position anywhere on the SMS pillar.

Other information: One universal fitting that can be used with most currently available interactive boards – the same fitting is ordered for all brands of board.

***Note!** Max weight is the load capacity of the motor and mount. Performance and experience is bound to the construction and the design of the interactive board. For this SMS does not take responsibility.



Available with white plastic fittings, a cable sock to conceal the cables, SMS Short Throw Unislide for projectors in white and black, and a broader foot.

ART. NO.	DESCRIPTION
AE018010-P0	Standard package SMS Projector Short Throw Mobile Motorized Alu/Black
AE018011-P0	Standard package SMS Projector Short Throw Mobile Motorized Alu/White

Choose one of the options below:

A Choose SMS projector pillar and SMS Short Throw Unislide.

B If the projector has a projector pillar already included, you can instead choose an adapter. See below.

A: White fittings projector pillar:

FS000680AW-P2	SMS Proj Short Throw 680 mm Alu/White
FS001202AW-P2	SMS Proj Short Throw 1200 mm Alu/White
FS001450AW-P2	SMS Proj Short Throw 1450 mm Alu/White

A: Black fittings projector pillar:

FS000680-P2	SMS Proj Short Throw 680 mm Alu/Black
FS001202-P2	SMS Proj Short Throw 1200 mm Alu/Black
FS001450-P2	SMS Proj Short Throw 1450 mm Alu/Black

A: Projector slide

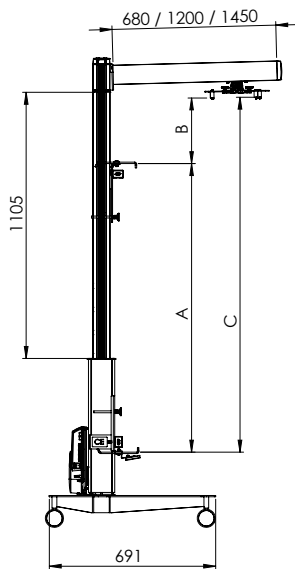
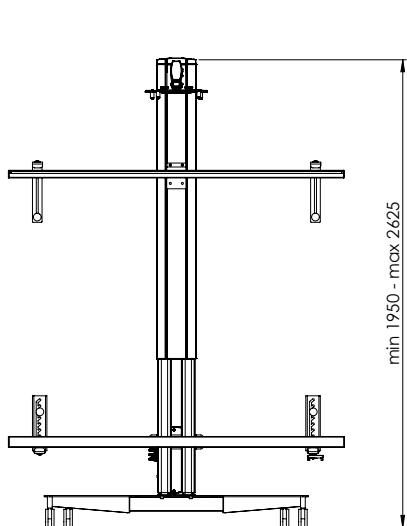
AE022020	SMS Projector ShortThrow UniSlide Black
AE022021	SMS Projector ShortThrow UniSlide White

B: Adapter for projectors with projector pillar included:

AE019054	SMS Short Throw NEC Adapter Mobile
AE023040	SMS Short Throw Smart Adapter
AE023041	SMS Short Throw Epson Adapter
AE023042	SMS Short Throw Hitachi Adapter

Accessories:

PD100001EU	SMS X Power Socket EU Black
PD100002CH	SMS X Power Socket CH Black
PD100003UK	SMS X Power Socket UK Black
PD400001	SMS X Media Box White
PD400003	SMS X Media Box Oak
PD400004	SMS X Media Box Walnut
PD300005-P0	SMS X Shelf White
PD300006-P0	SMS X Shelf Oak
PD300007-P0	SMS X Shelf Walnut
AE018002	SMS X Remote Control Kit



A = Board height
 B = Vertical projection distance
 C = A + B
 Min C: 1150
 Max C: 1650

Max board width: -
 Max board depth: 100
 Max board weight: 50 kg

